



373

PRODUCT SPECIFICATIONS



Capacity

Electric Frequency	60 Hz			50 Hz		
	Air-Cooled	Remote	Water-Cooled	Air-Cooled	Remote	Water-Cooled
Dispenser Type	Air-Cooled	Remote	Water-Cooled	Air-Cooled	Remote	Water-Cooled
Barrel Volume	128 oz	N/A	N/A	N/A	N/A	N/A
Continuous Draw - Single Barrel [§]	1,920 oz/hr	N/A	N/A	N/A	N/A	N/A
Continuous Draw - Alternating Barrels [§]	2,160 oz/hr	N/A	N/A	N/A	N/A	N/A
Recovery Time [§]	10 mins [†]	N/A	N/A	N/A	N/A	N/A
Refrigeration*	6,460 BTU/hr (6,816 kJ/hr), R-404A			N/A		

[§] Testing completed at 75°F (24°C).

[†] For alternating barrels.

* At 10°F (-12.2°C) evaporator temp and 110°F (43.3°C) condensing temp.

Electrical Requirements

Electric Frequency	60 Hz	50 Hz
Voltage	215 - 245 VAC ^Δ , Single Phase	N/A
Current	20 Amps	N/A
Receptacle	NEMA #L6-20R, 3 Wire	N/A
Beater Motor	(3) 1/6 HP, 0.85 A	N/A
Fan Motor	(1) 1/10 HP, 0.43 A	N/A

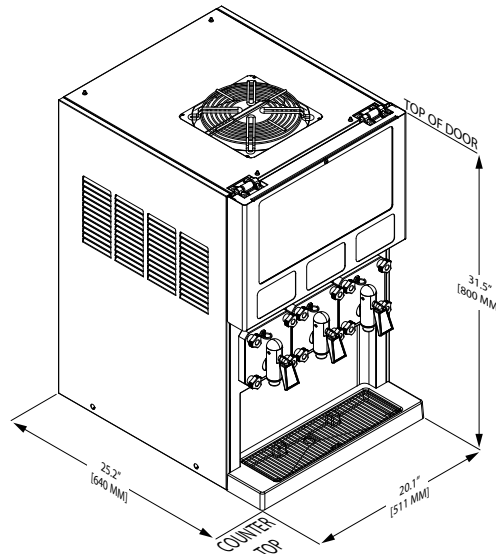
^Δ Buck-boost transformer required for operation outside this range.



Frozen Beverage Dispensers

EVERYONE LOVES FROZEN™

373



Weights & Dimensions

Measuring System	Imperial			Metric		
Door Model	Short Door	Tall Door		Short Door	Tall Door	
Height	31.5 in	N/A		800 mm	N/A	
Width	20.1 in			511 mm		
Depth	25.2 in			640 mm		
Back/Side Clearance (Min.)	2 in			51 mm		
Top Clearance (Min.)	12 in			305 mm		
Duratrans	9 1/2 in x 17 15/16 in	N/A		241 mm x 456 mm	N/A	
Flavor Card	4 7/8 in x 3 1/2 in			124 mm x 89 mm		
Dispenser Type	Air-Cooled	Remote	Water-Cooled	Air-Cooled	Remote	Water-Cooled
Empty Weight	215 lbs	N/A	N/A	98 kg	N/A	N/A
Operating Weight	239 lbs	N/A	N/A	108 kg	N/A	N/A

Water, CO₂ and Syrup Requirements

Measuring System	Imperial	Metric
Water System Input	3/8" Supply Line, 30 PSIG Flowing (minimum)	3/8" Supply Line, 207 kPag Flowing (minimum)
CO ₂ System Input	70 - 72 PSIG (maximum)	483 - 496 kPag (maximum)
Condenser Water Inlet Flow Rate ^o	N/A	N/A
Condenser Water Inlet Temperature ^o	N/A	N/A
Syrup	Input: 70 - 72 PSIG (483 - 496 kPag)	
	Bag-In-Box (BIB) Connections, (3) Base Syrups	

^o For water-cooled dispensers.