





# 772

## PRODUCT SPECIFICATIONS



### Capacity

Electric Frequency	60 Hz			50 Hz		
	Air-Cooled	Remote	Water-Cooled	Air-Cooled	Remote	Water-Cooled
Barrel Volume <sup>II</sup>	176 oz	176 oz	176 oz	5,205 mL	5,205 mL	5,205 mL
Continuous Draw - Single Barrel <sup>§</sup>	-	-	-	92,269 mL/hr	-	-
Continuous Draw - Alternating Barrels <sup>§</sup>	4,500 oz/hr	5,020 oz/hr	4,850 oz/hr	115,337 mL/hr	124,209 mL/hr	-
Recovery Time <sup>§</sup>	4 mins	3 mins	3 mins	4 mins	3 mins	-
Refrigeration	15,000 BTU/hr (15,826 kJ/hr), R-404A/R-448A <sup>†</sup>		19,000 BTU/hr (20,046 kJ/hr), R-404A/R-448A <sup>†</sup>			
Agency	NSF 18  Intertek UL/CSA 60335-1  Intertek			Complies with IEC/EN 60335-1; IEC/EN 60335-2-75; IEC/EN 60335-2-89; IEC/EN 61000-3-2; IEC/EN 61000-3-3; CISPR 14-1; CISPR 14-2.		
	Complies with UL 60335-1; UL 60335-2-89; IEC 60335-2-75.					

<sup>§</sup> Testing completed at 75°F (24°C).

<sup>II</sup> Volume varies based on barrel faceplate.

<sup>†</sup> R-404A and R-448A refrigeration systems are functionally equivalent.

### Electrical Requirements<sup>‡</sup>

Electric Frequency	60 Hz	50 Hz
Voltage	215 - 245 VAC <sup>Δ</sup> , Single Phase	215 - 245 VAC <sup>Δ</sup> , Single Phase
Current/Power	20 Amps	3,000 W
Receptacle	NEMA #L6-20R, 3 Wire	Varies depending on market.
Beater Motor	(2) 1/6 HP, 0.85 A	(2) 1/6 HP, 0.81 A
Fan Motor	(1) 1/4 HP, 0.83 A	(1) 1/6 HP, 0.60 A

<sup>‡</sup> General requirements only. Always check dispenser nameplate label for specific rating information.

<sup>Δ</sup> Buck-boost transformer or AVR required for operation outside this range.

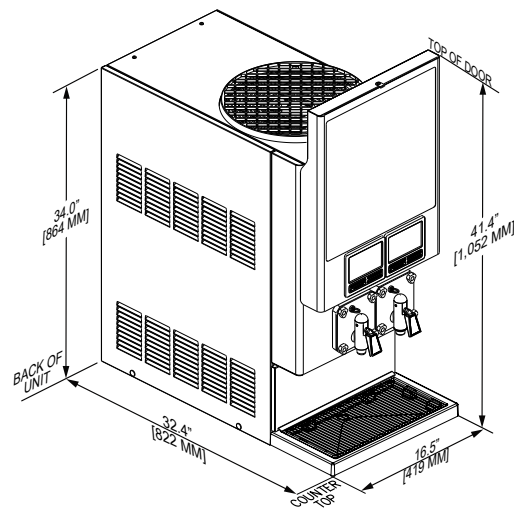
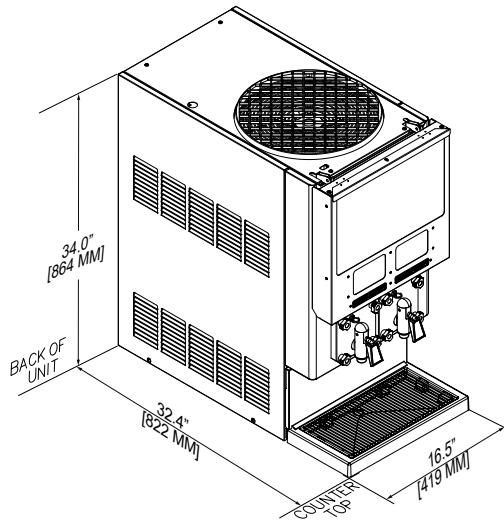
ROHS Compliant. FBD strives for continuous improvements and engineering innovations. Equipment design and/or specifications may change without notice.

©2021, FBD Partnership, L.P. FBD®, the FBD logo, and "Everyone Loves Froze®" are trademarks of FBD Partnership, L.P., all rights reserved.



**Frozen Beverage Dispensers**  
EVERYONE LOVES FROZEN®

# 772



## Weights & Dimensions

Measuring System	Imperial			Metric		
	Short Door		Tall Door	Short Door		Tall Door
Door Model	Short Door		Tall Door	Short Door		Tall Door
Height	34.0 in		41.4 in	864 mm		1,052 mm
Width	17.0 in			432 mm		
Depth	32.5 in			826 mm		
Back/Side Clearance (Min.)	3 in			76 mm		
Top Clearance (Min.)	12 - 36 in*			304 - 914 mm*		
Duratrans	10 in x 16 3/4 in		17 3/4 in x 16 3/4 in	254 mm x 425 mm		451 mm x 425 mm
Flavor Card	4 7/8 in x 3 1/2 in			124 mm x 89 mm		
Dispenser Type	Air-Cooled	Remote	Water-Cooled	Air-Cooled	Remote	Water-Cooled
Empty Weight	298 lbs	283 lbs	295 lbs	135 kg	128 kg	134 kg
Operating Weight	321 lbs	306 lbs	318 lbs	146 kg	139 kg	144 kg

\* 12 in (304 mm) with side or back open-air conditions, 36 in (914 mm) in equipment alcove.

## Water, CO<sub>2</sub> and Syrup Requirements

Measuring System	Imperial		Metric	
	Water System Input	3/8" Supply Line, 30 PSIG Flowing (minimum)		3/8" Supply Line, 207 kPag Flowing (minimum)
CO <sub>2</sub> System Input	70 - 72 PSIG (maximum)		483 - 496 kPag (maximum)	
Condenser Water Inlet Flow Rate <sup>o</sup>	1 - 3 gal / min		3.8 - 11.4 L/min	
Condenser Water Inlet Temperature <sup>o</sup>	40 - 90° F		4.4 - 32° C	
Syrup	Input: 70 - 72 PSIG (483 - 496 kPag)			
	Bag-In-Box (BIB) Connections, (2) Base Syrups			

<sup>o</sup> For water-cooled dispensers.