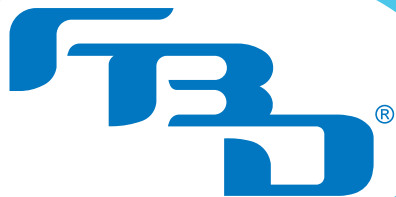


562



562 SPECIFICATIONS

DIMENSIONS

Countertop unit:

Width: 17.0 in (432 mm)

Depth: 32.3 in (820 mm)

Height: 41.4 in (1,052 mm) (with merchandiser door)

CAPACITY (60 Hz)

Barrel size: 176 oz

Continuous draw (alternating barrels): 3,840 oz/hour

Recovery time: 4 minutes

ELECTRICAL REQUIREMENTS

200-245 VAC, single phase, 3 wire, 20 amp

Uses NEMA #L-620R receptacle

REFRIGERATION

15,000 BTU/Hr, R-404A (60Hz)

SPACE REQUIREMENT

Sides and back: 2 in (51 mm) minimum

Top: 12 in (305 mm) minimum

WEIGHT

Operating unit: 345 lb (156kg)

SYRUP CONNECTION

Bag-In-Box

MOTORS

Beater: (2) 1/6 HP (120 W)

Fan: (1) 1/4 HP (135 W)

WATER REQUIREMENTS

Fresh water, minimum 3/8" supply, 30 psi flowing (207 kPa)

OPTIONAL ACCESSORIES

Base cart

Leg kit (set of four)

Painted or stainless steel side panels

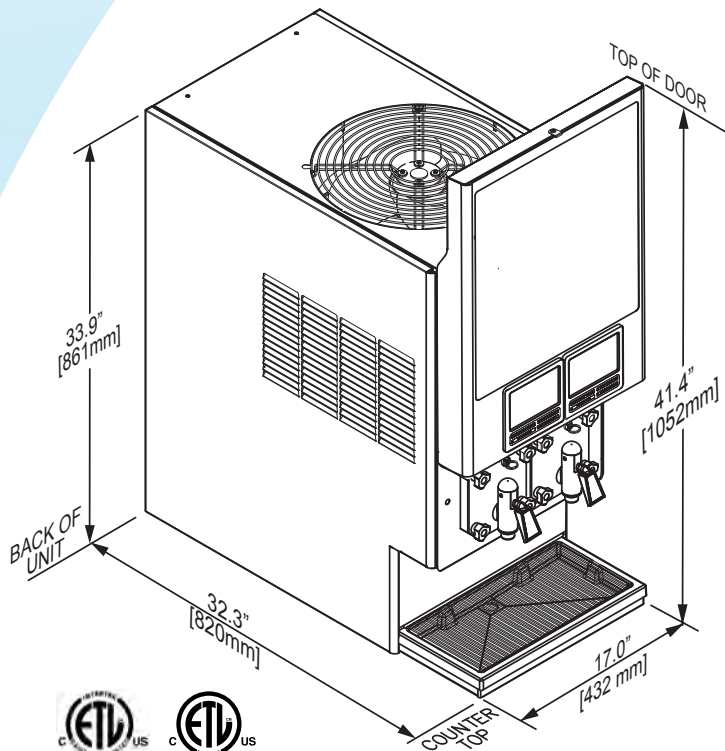
Water-cooled unit

Merchandiser options

Remote condenser

Bib Rack

Install Kit



Frozen Beverage Dispensers
EVERYONE LOVES FROZEN™



Frozen Beverage Dispensers
EVERYONE LOVES FROZEN™

562



PRODUCT FEATURES

- Inline Carbonation™ - creates a more consistent over-run, quality and yield
- AccuFreeze™ - maintains product consistency, delivering the most consistent frozen beverage, drink after drink
- RapidFreeze™ - cold chamber system improves recovery and draw-time, while reducing the compressor workload, and increasing dispenser durability
- Electronic Simplicity offers easy-to-use keypad interface
- Optimal Use of Counter Space with minimum ventilation of two inches side or back
- Scroll™ Compressor - provides more reliable operation, and fewer moving parts than reciprocating compressors
- Customizable individual barrels allows for hundreds of different drink profile combinations, including sugar free options

562

FBD Partnership, LP | 866.323.2777 | sales@fdbfrozen.com | fdbfrozen.com

change without notice. FBD - Frozen Beverage Dispensers - 8161 Interchange Parkway, Suite 115 • San Antonio, TX 78218 • 210.637.2800 • 1.866.323.2777 • Fax: 210.637.2844 • www.fdbfrozen.com • ©2012 FBD Partnership, LP, FBD®, the FBD logo, and "Everyone Loves Frozen™" are trademarks of FBD Partnership, LP, all rights reserved.