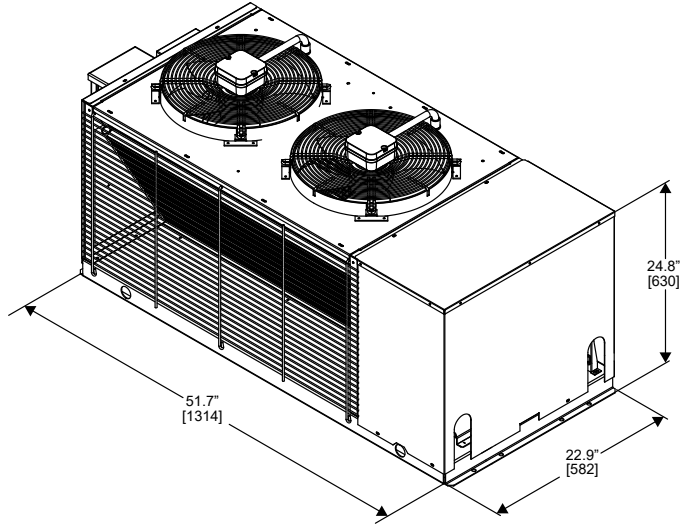
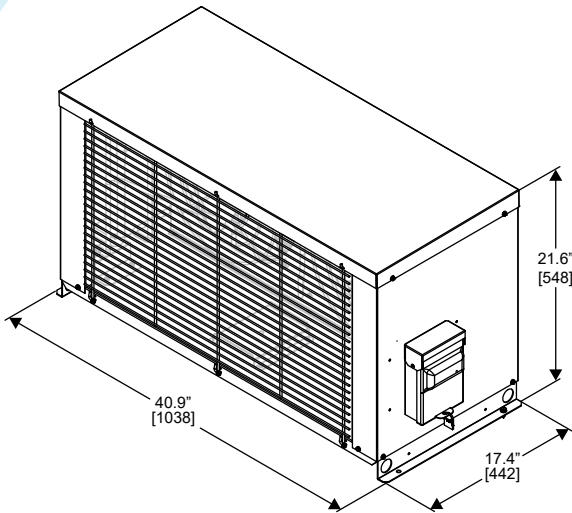




# DUAL & SINGLE REMOTE CONDENSER

## PRODUCT SPECIFICATIONS



Remote Condenser Type	Single Remote Condenser (SRC)	Dual Remote Condenser (DRC)
Dispenser Capacity	One Four-Barrel FBD Dispenser	Up to Two Four-Barrel FBD Dispensers
Operational Voltage <sup>tt</sup>	230 VAC ± 10%	
Current <sup>tt</sup>	15 A	
Refrigerant	R-404A/R-448A <sup>t</sup>	
Operating Temperature	-20°F (-29°C) to 120°F (49°C)	
Agency	Complies with UL 1995:2011 Ed.4, CSA C22.2#236:2011 Ed.4, IEC 60335-1, IEC 60335-2-75, IEC 60335-2-89	

<sup>t</sup> R-404A and R-448A refrigeration systems are functionally equivalent. <sup>tt</sup> General requirements only. Always check nameplate label for specific rating information.

### Dimensions and Weights

Measuring System	Imperial		Metric	
	SRC	DRC	SRC	DRC
Condenser Model	SRC	DRC	SRC	DRC
Height	21.6 in.	24.8 in.	549 mm	630 mm
Length	40.9 in.	51.7 in.	1,039 mm	1,314 mm
Width	17.4 in.	22.9 in.	442 mm	582 mm
Operational Weight	105 lbs	143 lbs	48 kg	65 kg
Shipping Weight	135 lbs	190 lbs	61 kg	86 kg
Minimum Side Clearance	30 in.		762 mm	
Minimum Top Clearance	N/A	60 in.	N/A	1,524 mm



**Frozen Beverage Dispensers**  
EVERYONE LOVES FROZEN™

## Example Remote Condenser Installation

